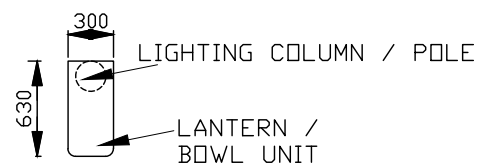


- NOTES:
- 1 FIGURED DIMENSIONS ONLY TO BE TAKEN FROM THIS DRAWING.
 - 2 ALL DRAWINGS TO BE CHECKED BY THE CONTRACTOR ON SITE.
 - 3 ENGINEER TO BE INFORMED OF ANY DISCREPANCIES BEFORE ANY WORK COMMENCES.
 - 4 THIS DRAWING TO BE READ IN CONJUNCTION WITH ALL OTHER RELEVANT DRAWINGS AND SPECIFICATIONS.

THIS DRAWING IS NOT TO BE USED AS A CONSTRUCTION DRAWING.



LANTERN / BOWL UNIT

LIGHTING COLUMN / POLE BRACKET

LIGHTING COLUMN / POLE TO ELECTRICAL ENGINEERS SPECIFICATION

WELL COMPACTED FILL

CABLE ENTRY DOOR

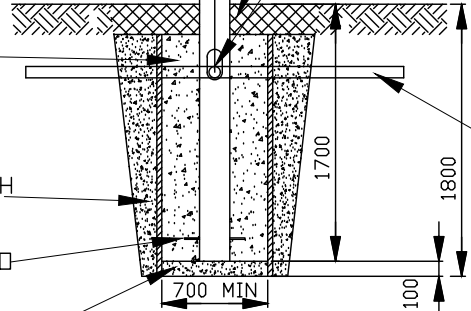
SAND SURROUND PLACED AFTER CABLE HAVE BEEN INSTALLED (ANY WATER TO BE PUMPED CLEAR PRIOR TO POURING)

BACKFILL EXCAVATION WITH CONCRETE GRADE C20/20N

ANTI ROTATION DOWELS TO COLUMN MANUFACTURERS DETAIL

CONCRETE GRADE C20/20N

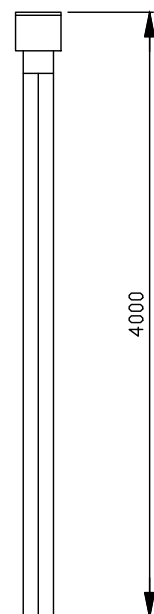
GROUND LEVEL



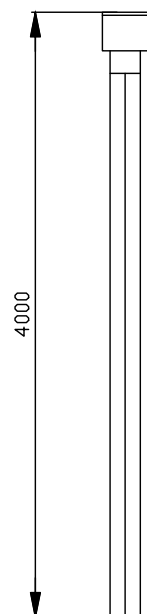
SECTION

GROUND LEVEL

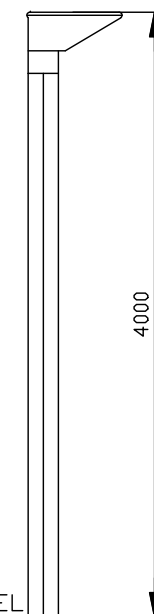
ELEVATION (FRONT)



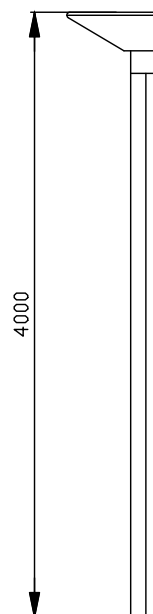
ELEVATION (REAR)



ELEVATION (LEFT HAND SIDE)



ELEVATION (RIGHT HAND SIDE)



GROUND LEVEL

TO EXTEND 30mm MIN INTO COLUMN

rev.	modifications	D	C	A

P:\job-job\6289 Tirawley Wind Farm\Drawings\PL-1004 Planning\1000 - Standard Details\6289-PL-1004 Lamp Pole Details.dwg

Client

CONSTANT ENERGY LTD

Project

TIRAWLEY WIND FARM
CO. MAYO

Stage

PLANNING

Title

LAMP POLE / COLUMN DETAILS

Scales

1:50 @ A3

Surveyed	Prepared	Checked	Approved	Date
JOD	JB	MG / DT	DK	APRIL 2026



© COPYRIGHT OF
JENNINGS O'DONOVAN AND PARTNERS LIMITED
FINISKLIN Tel (+353) 719 161 416
SLIGO Email. info@jodireland.com
IRELAND www.jodireland.com

@JOD_Sligo Jennings O'Donovan & Partners Jennings O'Donovan

Job No.	Drawing no.	Revision
6289	PL-1004	0